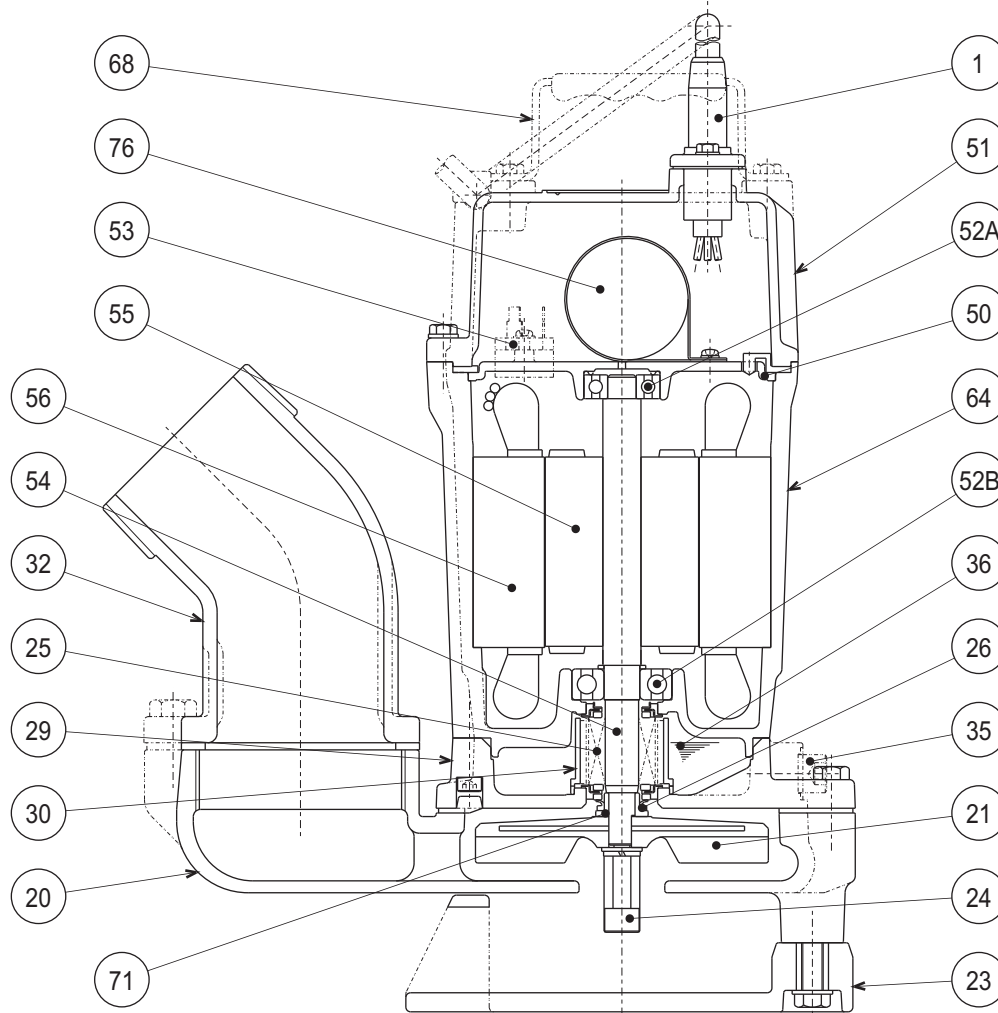




HS - SERIES
SEMI-VORTEX - WASTEWATER PUMP

SECTIONAL VIEW

HS2.75S-62
HS3.75S-62



ITEM#	DESCRIPTION	MAIN MATERIAL / NOTE	RELATED ASTM, AISI CODE	RELATED EN CODE	Q'TY
1	Power Cable	PVC Sheath AWG14/3-32ft			1
20	Pump Casing	Ductile Cast Iron	A536 65-45-12	EN 1563 GJS-450-10	1
21	Impeller	Urethane Rubber			1
23	Suction Strainer	PVC			1
24	Agitator	Steel	A283 Grade D	EN 10025 S275	1
25	Mechanical Seal	Silicon Carbide / W-14VL			1
26	V-Ring	Nitrile Butadiene Rubber			1
29	Oil Casing	Ductile Cast Iron	A536 65-45-12	EN 1563 GJS-450-10	1
30	Oil Lifter	PBT Resin			1
32	Discharge Connection	Cast Iron / NPT 2" or 3"	A48M Class30B	EN 1561 GJL-200	1
35	Oil Plug	Stainless Steel	S 30400	1.4301	1
36	Lubricant	Turbine Oil ISO VG32 or SAE10W-20			1
50	Motor Bracket	Aluminum Alloy Die Casting	B85 383.0	EN 1706 AC-46100	1
51	Motor Head Cover	Aluminum Alloy Die Casting	B85 383.0	EN 1706 AC-46100	1
52A	Upper Bearing	#6201ZZC3			1
52B	Lower Bearing	#6302ZZC3			1
53	Motor Protector				1
54	Shaft	Stainless Steel	S 40300	1.4000	1
55	Rotor				1
56	Stator				1
64	Motor Housing	Aluminum Alloy Die Casting	B85 383.0	EN 1706 AC-46100	1
68	Handle	Steel (Hot Rolled) + NR Rubber	A1011	EN 10111	1
71	Shaft Sleeve	Stainless Steel	S 30400	1.4301	1
76	Capacitor				1